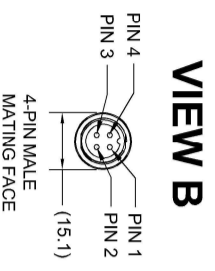
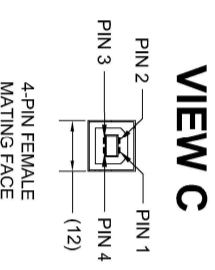


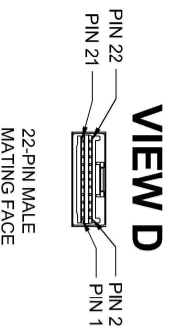
PIN #	DESCRIPTION
1	DATA AND 3V/5V
2	GND



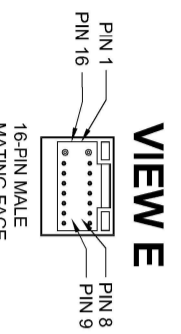
PIN #	DESCRIPTION
1	12V
2	GND
3	AUDIO
4	VIDEO



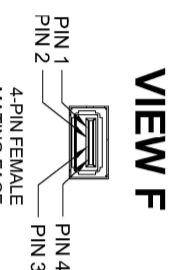
PIN #	DESCRIPTION
1	+5V
2	USB DATA -
3	USB DATA +
4	GND



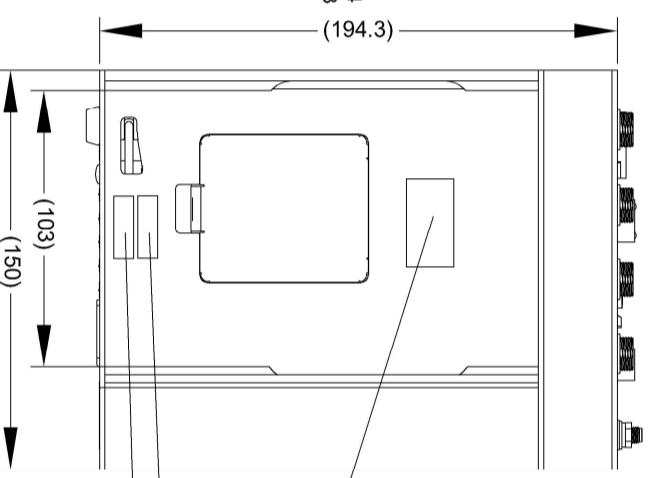
PIN#	DESCRIPTION
1	INPUT - 1
2	+5V
3	INPUT - 2
4	GND
5	INPUT - 3
6	485A-1
7	INPUT - 4
8	485B-1
9	INPUT - 5
10	GND
11	INPUT - 6
12	485A-2
13	INPUT - 7
14	485B-2
15	INPUT - 8
16	OUTPUT - 1
17	SPEED SIGNAL
18	OUTPUT - 2
19	SPEED GND
20	GND
21	GND
22	12V OUT



PIN#	DESCRIPTION
1	12V / 24V
2	12V / 24V
3	IGNITION
4	12V
5	GND
6	VIDEO
7	AUDIO
8	N.C
9	N.C
10	N.C
11	GND
12	N.C
13	N.C
14	N.C
15	GND
16	GND

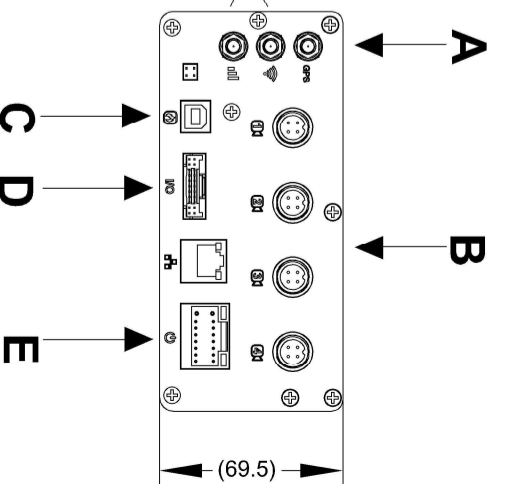
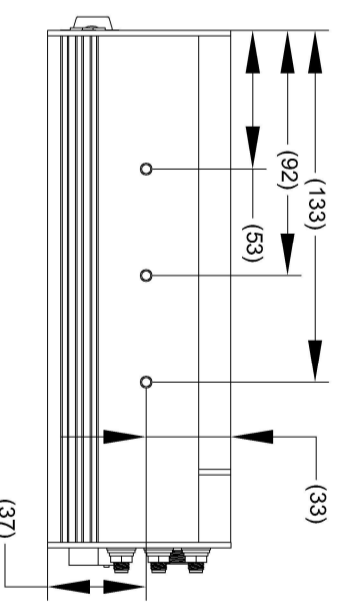
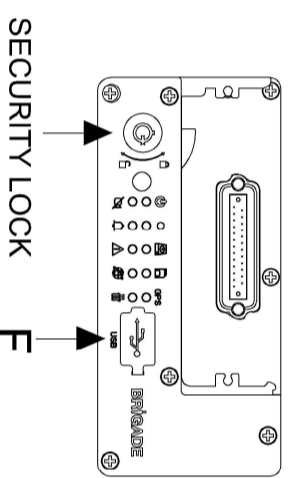
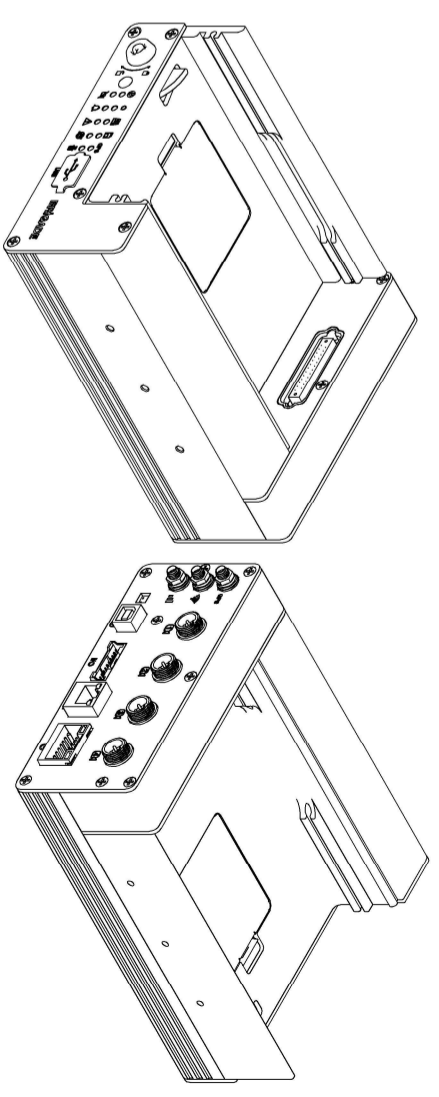


PIN #	DESCRIPTION
1	+5V
2	USB DATA -
3	USB DATA +
4	GND



PRODUCT LABEL LOCATION

SERIAL NUMBER LABEL LOCATION
IMEI NUMBER LABEL LOCATION
(APPLICABLE FOR MDR MODELS THAT CONTAIN 3G/4G MODULES)



ITEM	PART NUMBER	QTY	MODEL NUMBER	DESCRIPTION
(A)	5131	1	MDR-504-DS	MDR 500 4 CHANNEL DOCKING STATION, 32GB SD CARD
(B)	6287	1	MDR-504G-DS-G2	MDR 500 4 CHANNEL DOCKING STATION WITH 4G, 32GB SD CARD (GEN2)
(C)	6288	1	MDR-504GW-DS-G2	MDR 500 4 CHANNEL DOCKING STATION WITH 4G & WIFI, 32GB SD CARD (GEN2)
(D)	5508	1	MDR-504GW-DS(NA)	MDR 500 4 CHANNEL DOCKING STATION WITH 4G & WIFI, 32GB SD CARD - NA
(E)	5538	1	MDR-504G-DS(NA)	MDR 500 4 CHANNEL DOCKING STATION WITH 4G, 32GB SD CARD - NA

- NOTES:
1. REFERENCE INSTRUCTION MANUAL FOR FUNCTIONALITY.
 2. NOT BACKWARDS COMPATIBLE WITH MDR-404XX-XXX.
 3. FOR ALL LABELS AND PACKAGING REFER TO MASTER BOM.
 4. VARIOUS SYSTEM OPTIONS A TO E CONTAIN RELEVANT COMPONENTS.
 5. FINISH: GUNMETAL GREY.
 6. MOBILE NETWORK AND WIFI CAPABILITIES DEPEND ON MODEL AND AVAILABILITY.
 7. ANY CUSTOMER MODIFICATION OF THIS PRODUCT CAUSING SUBSEQUENT FAILURE IS NOT A LIABILITY OF BRIGADE ELECTRONICS GROUP PLC.

PROPRIETARY NOTICE
THIS DESIGN AND TECHNICAL INFORMATION APPEARING ON THIS DRAWING IS THE PROPERTY OF BRIGADE ELECTRONICS, AND IS DISCLOSED IN CONFIDENCE. IT IS NOT TO BE COPIED, REPRODUCED, REVEALED TO OR EXPROPRIATED BY OTHERS, EITHER IN WHOLE OR IN PART WITHOUT THE EXPRESS WRITTEN CONSENT OF BRIGADE ELECTRONICS.

BRIGADE
www.brigade-electronics.com

Assembly Pl Approval P. BU	Approved by S. LAVER	Checked by A. KEBEDE	Drawn by S. ZHANG
Angle of Projection Third Angle	Units mm	Scale N/A	Released 13/10/20
Status RELEASED	Part No VARIOUS	MDR-504XX-DS-XX	
		BE-004446-00-20	